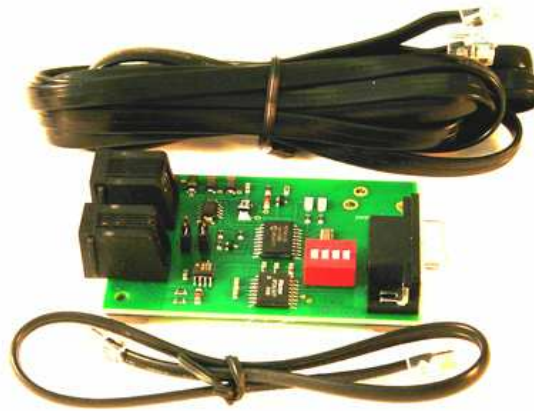


NCE

The Power of DCC

Packet Analyzer



Convenient, easy connection to track or control bus

Features:

- ✓ View DCC packets being sent by command station in Hex or plain english
- ✓ Selectively filter out idle, reset, accessory, function and or speed packets
- ✓ Opto-isolated to prevent ground loops from DCC system to computer
- ✓ Can be powered from track or Cab Bus jack
- ✓ ICC packet analyzer compatibility mode (hex only display)
- ✓ Verbose mode makes it easy to decipher packets
- ✓ Additional Bonus: display NCE Cab Bus activity

Additional Requirements:

- ✓ PC or Mac running dumb terminal program capable of 38.4Kbps, 8 data bits
- ✓ 9 pin serial cable



05240231



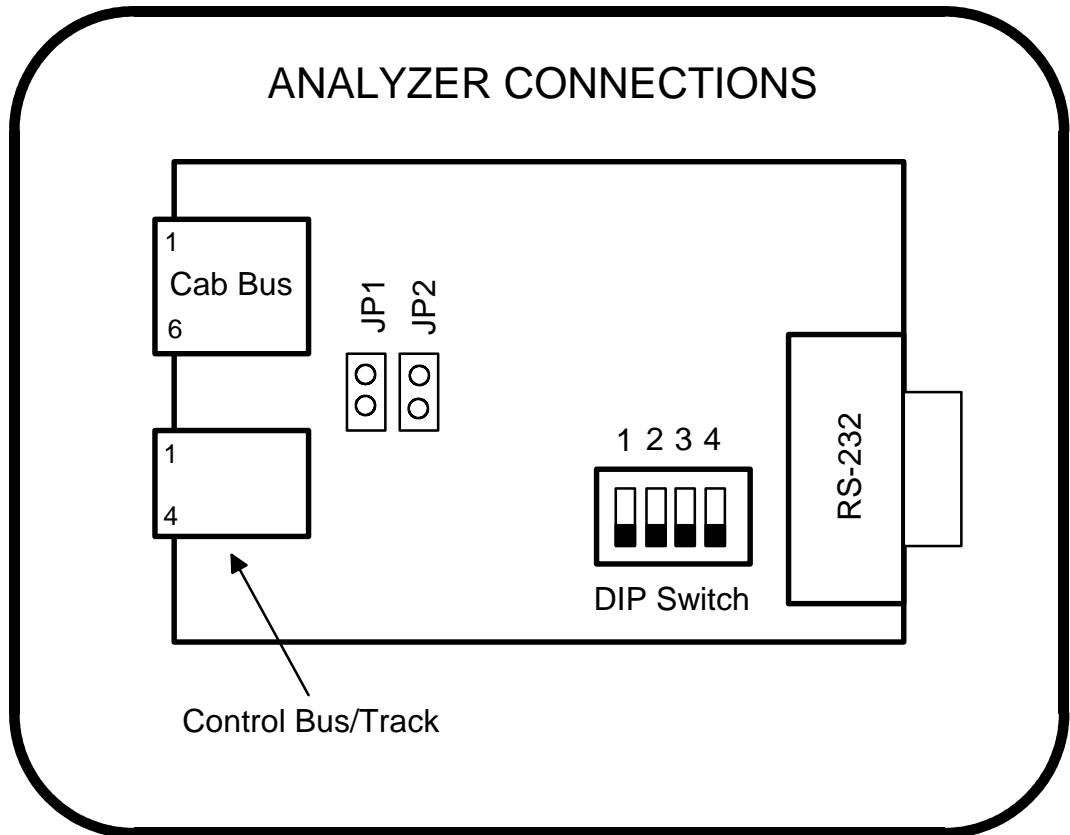
This book, schematics and artwork copyright 2009 NCE Corp., Webster, NY 14580

Warning: This product contains chemicals known to the state of California to cause cancer, birth defects or other reproductive harm.

Analyzer connections:

The following connections are needed to use the DCC Packet Analyzer.

- The RS232 connector provides data to your PC via a standard (pin 1 to pin 1) serial cable. There is no hardware or software flow control. Only pins 2,3, and 5 are used.
- Pins 2 and 3 of the Control Bus "RJ" jack connect to the track.
- Normally power for the analyzer is supplied from the Cab Bus RJ-12 connector (pin 2 -ground, pin 5 -positive). The DCC Analyzer can also be powered from the track by installing jumpers JP1 and JP2 if you are sure there is NO ground sneak path (such as when a laptop computer is used). **DO NOT USE THE CAB BUS CONNECTION AND JP1/JP2 AT THE SAME TIME** (there is a small chance you can damage the control bus output of your command station if both connections are used at the same time).



Data Communications

We've had good luck using Hyperterminal supplied with Win98 and Win XP. The communications settings are 38.4kbps, 7 data bits, 1 stop bit. Use the 'No Flow Control' option. The analyzer does not echo characters so you may also want to turn echo on. Also turn on 'Append line feeds to incoming line ends' under the Properties->Settings->ASCII Setup menu.

Note: On some computers you may need to set the Hyperterminal setting for 8 data bits for proper operation.

Before connecting the analyzer to the track or command station verify communications by pressing "?" to get a menu of commands and the analyzer software version.

A very good public domain terminal program is: "Bray's Terminal Program" down loadable from:

http://www.ncecorporation.com/usb_drivers/terminal1.exe (do not capitalize any letters)

Save the program to your computer. It does not install anything on your PC when it runs.

This program is known to work with USB to Serial converters.

Operations

The analyzer will continuously receive DCC packets, parse, interpret and transmit packet data through its RS232 port. It is possible to block transmission of certain packet types. At power up, if DIP switch 4 is OFF the analyzer will analyze DCC packets. If switch 4 is ON it will analyze the NCE cab bus. Switches 1, 2 and 3 are not used.

Commands: Type the command in the left column (below) such as "A+"

- V Display packets in 'verbose' mode (able to be interpreted by humans)
- H Display packets as hex bytes

- H0 Set hex display mode 0 (see hex display table)
- H1 Set hex display mode 1 (see hex display table)
- H0 Set hex display mode 2 (see hex display table)
- H0 Set hex display mode 3 (see hex display table)
- H0 Set hex display mode 4 (see hex display table)
- H0 Set hex display mode 5 (see hex display table)
- H0 Set hex display mode 6 (see hex display table)
- H0 Set hex display mode 7 (see hex display table)

- A+ Display all accessory packets
- A- Don't display accessory packets

- I+ Display all idle packets
- I- Don't display idle packets

- L+ Display all locomotive packets
- L- Don't display locomotive packets

- R+ Display all reset packets
- R- Don't display reset packets

- S+ Display all signal packets
- S- Don't display signal packets

- ? Display list of commands supported

The analyzer remembers the last display mode after power up.

Hex mode displays:

H0 mode (compatible with the ICC analyzer):

Displays packets in hex mode preceded by one character indicating how many start bits in the packet preamble. There are no spaces between any characters or bytes.

Example: \$03686B

Description: 14 start bits with three byte packet following with bytes of 0x03, 0x68, 0x6B

The following characters are used to indicate the number of preamble bits:

Char	# bits	Char	# bits	Char	# bits	Char	# bits	Char	# bits
space	10	(18	0	26	9	34	@	42
!	11)	19	1	27	0	35	A	43
"	12	*	20	2	28	:	36	B	44
#	13	+	21	3	29	;	37	C	45
\$	14	,	22	4	30	<	38	D	46
%	15	_	23	5	31	=	39	E	47
&	16	.	24	6	32	>	40	F	48
'	17	/	25	7	33	?	41	G	49

H1 mode:

Same as H0 mode except spaces will delimit preamble char and each pair of hex characters

Example: \$ 03 68 6B

14 start bits with three byte packet following with bytes of 0x03, 0x68, 0x6B

H2 mode:

Displays packets in hex mode with no indication of how many preamble bits. There are no spaces between any characters or bytes.

Example: 03686B

Three byte packet following with bytes of 0x03, 0x68, 0x6B

H3 mode:

Same as H2 mode except spaces will delimit each pair of hex characters

Example: 03 68 6B

Three byte packet following with bytes of 0x03, 0x68, 0x6B

H4 mode:

Displays packets in hex mode preceded by Pxx where xx indicates how many preamble bits (in hex). There are no spaces between any characters or bytes.

Example: P0E03686B

14 start bits with three byte packet following with bytes of 0x03, 0x68, 0x6B

H5 mode:

Same as H4 mode except spaces will delimit preamble chars and each pair of hex characters

Example: P0E 03 68 6B

14 start bits with three byte packet following with bytes of 0x03, 0x68, 0x6B

H6 mode:

Displays packets in hex mode with no indication of how many preamble bits but preceded by the letter P. There are no spaces between any characters or bytes.

Example: P03686B

Three byte packet following with bytes of 0x03, 0x68, 0x6B

H7 mode:

Same as H6 mode except spaces will delimit each pair of hex characters

Example: P 03 68 6B

Three byte packet following with bytes of 0x03, 0x68, 0x6B

Verbose mode displays:

Verbose mode displays are intended to allow humans to interpret packet contents. The display is cryptic but understandable. Unless stated otherwise all numbers are displayed in decimal. Any packet that isn't understood by the analyzer will be displayed in hex.

Reset packets will be displayed as: "RESET"

Idle packets are displayed as: "IDLE"

Format of locomotive speed packets: L1234 S123F

A short loco address is displayed with 3 digits (ie, L003) and a long address is displayed with 4 digits (ie.L1234).

14/28 speed commands are displayed with 2 digits (S08) and 128 speed commands are displayed with 3 digits (S123). The last character displayed is the direction. F for forward and R for Reverse.

Emergency stop packets are displayed as such: L1234 ESTOP.

Format for locomotive function group 1 packets: L1234 FL1234

Short and long locomotive addresses are indicated by 3 or 4 digits as in speed packets. The function numbers, if off, are indicated by a dash (-). If on the function numbers are indicated by L for F0 and 1-4 for F1-F4.

Example: L1234 F--32- means function 2 and 3 are on and function 0,1 and 4 are off.

Format for locomotive function group 2 packets: L1234 F8765

Short and long locomotive addresses are indicated by 3 or 4 digits as in speed packets. The function numbers, if off, are indicated by a dash (-). If on the function numbers are indicated by 5-8 for F5-F8.

Example: L1234 F8-6- means function 8 and 6 are on and function 5 and 7 are off.

Format for locomotive function group 3 packets: L1234 FCBA9

Short and long locomotive addresses are indicated by 3 or 4 digits as in speed packets. The function numbers, if off, are indicated by a dash (-). If on the function numbers are indicated by 9,A,B,or C for F9-F12.

Example: L1234 FC-A- means function 12 and 10 are on and function 9 and 11 are off.

Format for locomotive function group 4 packets: L1234 FKJIHG FED

Short and long locomotive addresses are indicated by 3 or 4 digits as in speed packets. The function numbers, if off, are indicated by a dash (-). If on the function numbers are indicated by D,E,F,G,H,I,J,K for F13-F20.

Example: L1234 F----G-E- means functions 14 and 16 are on.

Format for locomotive function group 3 packets: L1234 FSRQPONML

Short and long locomotive addresses are indicated by 3 or 4 digits as in speed packets. The function numbers, if off, are indicated by a dash (-). If on the function numbers are indicated by L,M,N,O,P,Q,R and S,T for F21-F28.

Example: L1234 F----O-M- means functions 22 and 24 are on.

Format for locomotive long form OPS write byte: L1234 CV0044=123

Short and long locomotive addresses are indicated by 3 or 4 digits as in speed packets. The CV number in the above example is 44 (always displayed with 4 digits) and the value for the CV is 123 (always displayed with 3 digits).

Format for locomotive long form OPS write bits: L1234 CV0044 b3=1

Short and long locomotive addresses are indicated by 3 or 4 digits as in speed packets. The CV number in the above example is 44 (always displayed with 4 digits) and bit 3 is to be programmed to a 1.

Format for locomotive long form OPS verify byte: L1234 OPS VFY

Short and long locomotive addresses are indicated by 3 or 4 digits as in speed packets. The command is not completely decoded by the analyzer

Format for locomotive short form OPS write byte: L1234 CV23=123

Short and long locomotive addresses are indicated by 3 or 4 digits as in speed packets. The CV number in the above example is 23 (only CV23 or CV24 can be programmed with short form) and the value for the CV is 123 (always displayed with 3 digits). If the analyzer doesn't understand the CV number indicated it will display L1234 OPS?

Format for consist control setup packets: L1234 CON=123R

Short and long locomotive addresses are indicated by 3 or 4 digits as in speed packets. In the example above CV19 (consist address) will be set to 123 with the direction of operation to be reverse.

Format for accessory control (paired outputs): A1234N

The accessory address is always displayed with 4 digits. "N" or "R" follows to indicate normal (on) or reverse (off) for the turnout position.

Format for accessory OPS write byte (legacy Ops mode): A1234*CV0513=123

The accessory address is always displayed with 4 digits. The CV number in the above example is 513 (always displayed with 4 digits) and the value for the CV is 123. The distinction between legacy mode and new mode (see below) is the asterisk (*) between the accessory address and the CV address for legacy mode.

Format for accessory OPS write byte (new Ops mode): A1234 CV0513=123

The accessory address is always displayed with 4 digits. The CV number in the above example is 513 (always displayed with 4 digits) and the value for the CV is 123. Only the write byte portion of this command is decoded by the analyzer. The distinction between legacy mode (see above) and new mode is the asterisk (*) between the accessory address and the CV address for legacy mode

Format for signal ("extended" accessory addresses) control: S1234 2F

The signal address is always displayed with 4 digits followed by the signal aspect byte displayed in hex.

Format for signal OPS write byte: S1234 CV0513=123

The signal address is always displayed with 4 digits. The CV number in the above example is 513 (always displayed with 4 digits) and the value for the CV is 123. Only the write byte portion of this command is decoded by the analyzer.

The terms Silent Running, Power Pro, Power Cab, ProCab, and EFX are trademarks of NCE Corporation. The distinctive shape of the Power Cab and Procab combined with the thumbwheel and LCD is a trademark of NCE Corporation. Digitrax is a trademark of Digitrax Inc.



05240231