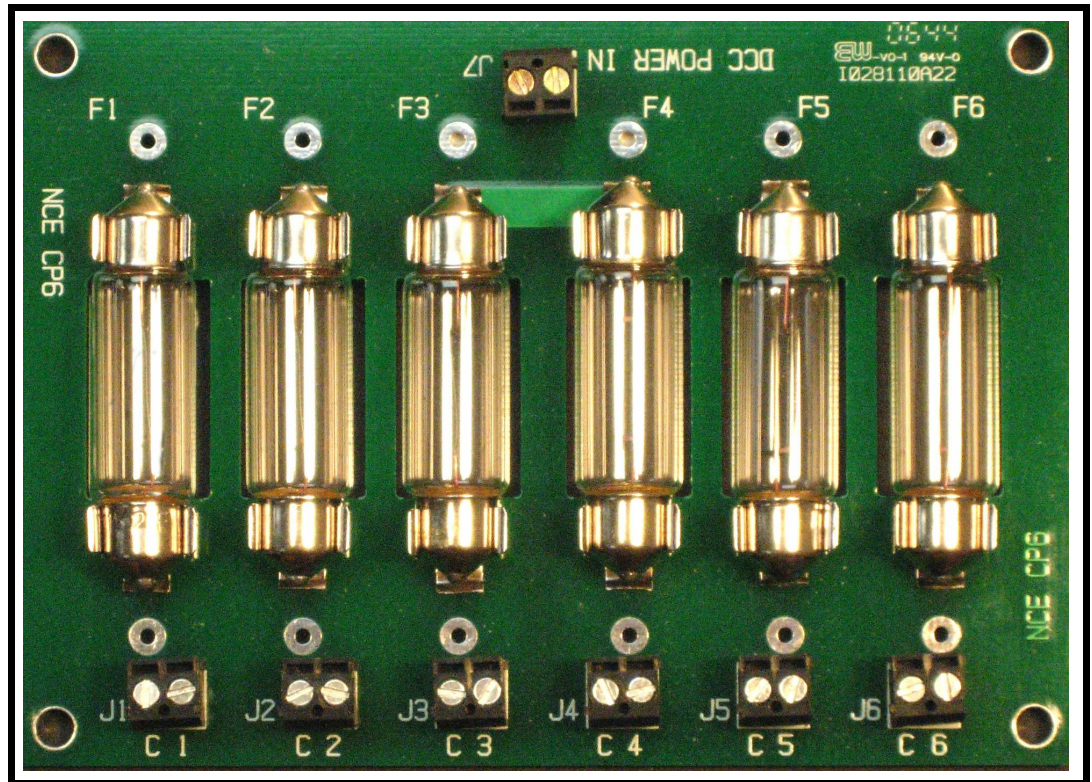


**NCE**  
*The Power of DCC*

**CP6**  
Circuit Protector



**\$34.95**

Six output circuit protector

**Features of the CP6:**

- ✓ Provides short circuit protection for up to six power sections
- ✓ Trip current of approximately 1 Amps (1.75 with optional lamps)
- ✓ Easy hookup using screw terminals , no soldering
- ✓ Visible short circuit status indication on outputs



05240217

### **Description:**

It is usually desirable to divide a layout into separate track power sections (power districts) so that a derailment or short circuit on one section of the layout doesn't shut down power to other sections. The CP6 can be used to divide the power output of one DCC booster into six independent power districts each with its own short circuit protection.

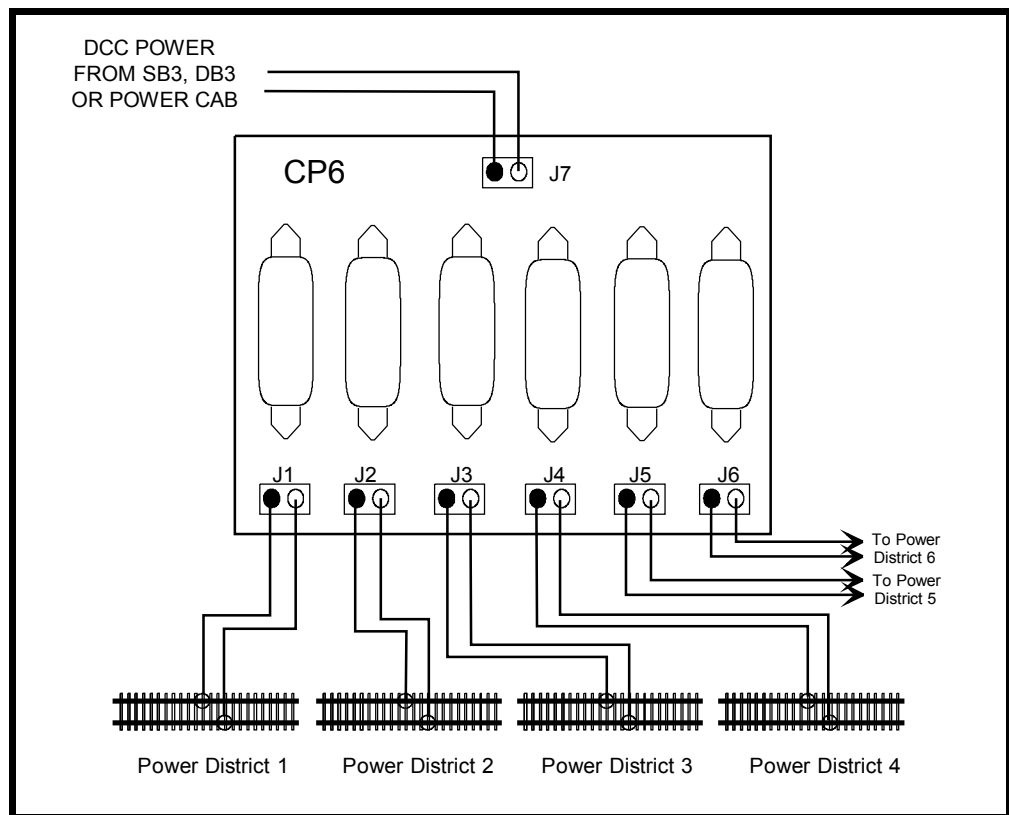
### **Mechanical Installation:**

The CP6 has 4 mounting holes that can be used to mount it to a convenient place on your layout. We recommend using #4 x 3/4" round head wood screws with #4 flat washers. Do not over tighten the screws. Lightly snug the screws up just enough to keep the circuit board in place without bending it. Bending the circuit board can pop the lamps loose from the sockets.

### **Electrical Connections:**

The diagram below illustrates the wiring of the CP6 to your layout. The terminal strips on the CP6 accept up to #16 AWG wire. For distances to 20 feet (6.5 meters) from the **booster to the CP6** you should use at least #16 AWG wire. Wiring from the CP6 to the track should be #20 up to about 30 feet, and larger if you need longer runs.

We recommend track feeder wires every 6-10 feet when using code 83 or larger rail size. If you're using code 70 or smaller rail we suggest feeders every 3-6 feet.



Note: The screw terminals marked with black dots in the drawing are connected together internally on the CP6 circuit board. If you are using common rail make sure the terminals marked in black above are connected to the common rail (bottom rail in the diagram).

At this point the CP6 is ready to use. The CP6 is supplied from the factory with lamps that provide a nominal 1 Amp limit to the track power in any one power district. Optional 1.75 Amp lamps are available from NCE if you need to have higher current available in some or all of your power districts.

Six packs of replacement lamps are available from NCE or you can purchase them individually from auto parts stores. The 1 Amp lamp is part number 6411 or 211-2. The 1.75 Amp lamp is usually a special order (part number Osram/Sylvania 39371).