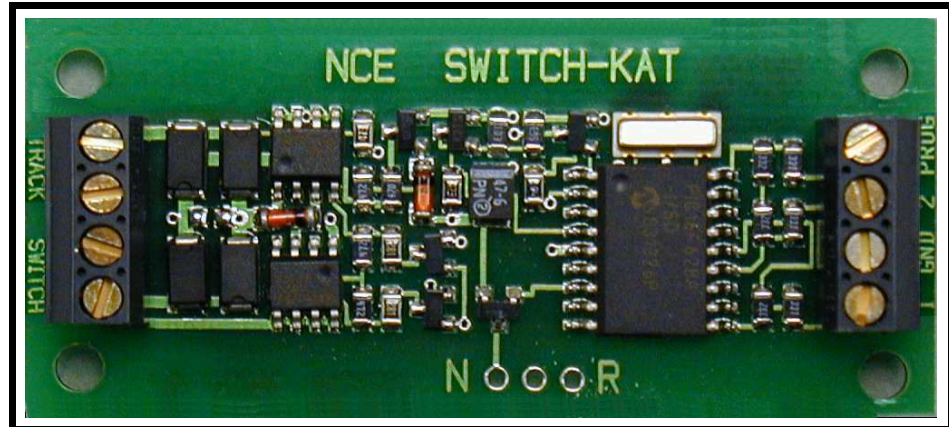


# NCE

*The Power of DCC*

## Switch-Kat



**\$24.95**

Dimensions: 2.45 x 1.030 x .460 inches - 62 x 26.5 x 11.7 mm

**This is an accessory (switch machine) decoder**

- ✓Control for one Kato™ or LGB remote control turnout
- ✓Switch-Kat remembers the position of switch during power outages
- ✓Switch-Kat supports the full range of DCC accessory addresses (1-2044)
- ✓Easy address programming, no need to connect it to programming track
- ✓Simple hook up, 2 wires to the track, 2 wires to the switch
- ✓Includes connections for optional "local" control push buttons or "track trips"
- ✓Includes connections for optional position indicator lights



05240116

This book, schematics and artwork copyright 2009 NCE Corp., Webster, NY 14580

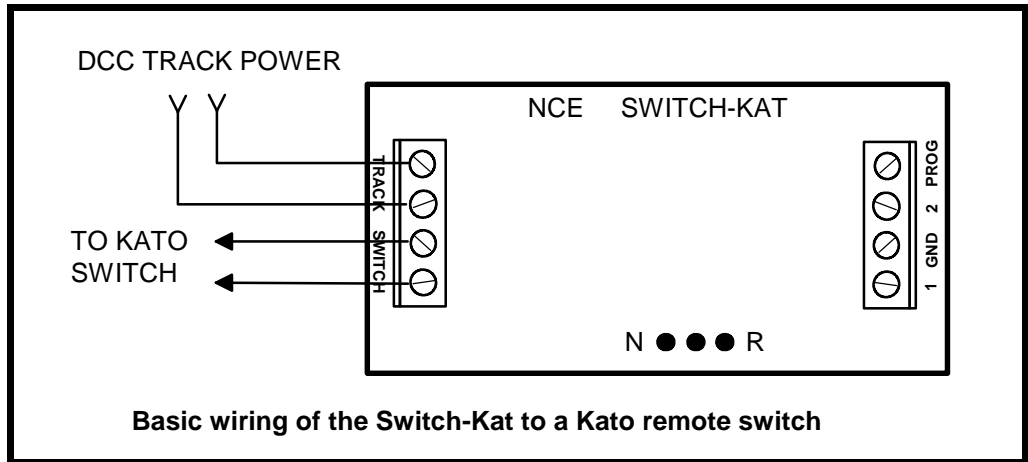
**Warning:** This product contains chemicals known to the state of California to cause cancer, birth defects or other reproductive harm.

## Installation Notes:

This decoder is designed to control Kato or LGB remote control turnouts. The Switch Machine outputs are rated for 1A maximum. Lighting outputs are rated at 100mA

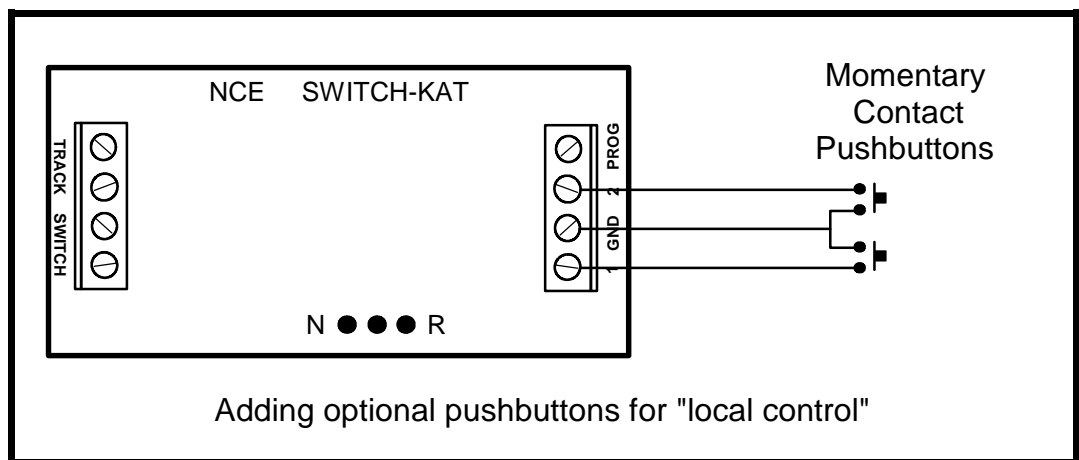
### Wiring:

See the diagrams below for wiring particulars. The only required wires are two wires to the track power and two wires to the remote control input of the Kato switch.



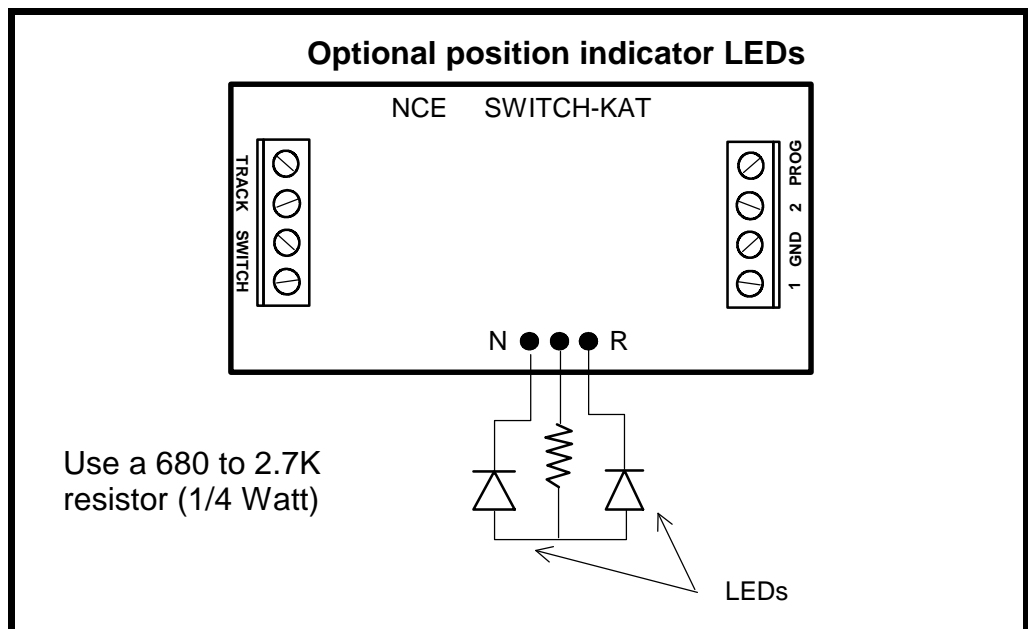
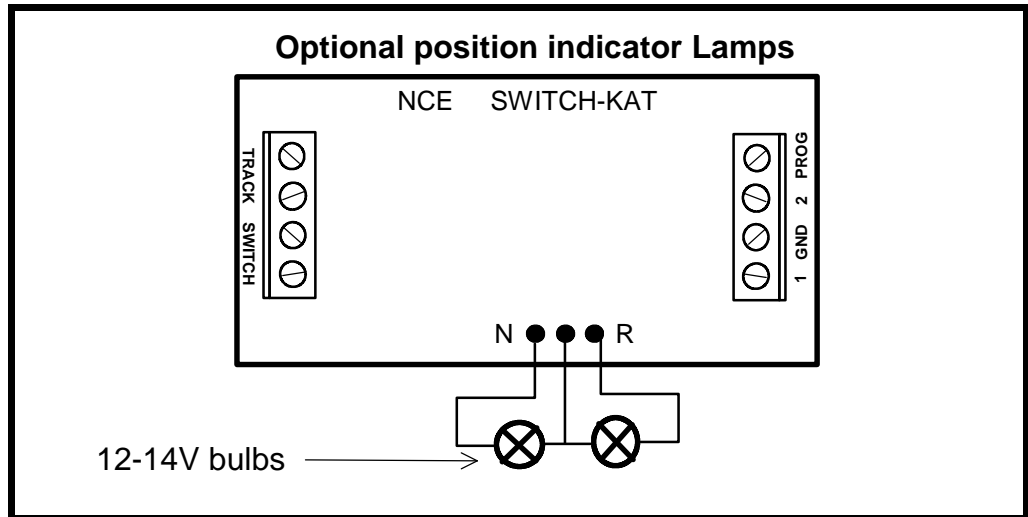
### Adding optional pushbuttons:

You can use pushbuttons to throw the turnout from a control panel in addition to the control from your handheld DCC throttle. The diagram below illustrates the wiring of these pushbuttons. Use only **momentary** contact switches (pushbuttons). Continuous contact switches (toggle switches) will prevent control of the turnout by DCC.



### Optional position indicator lights:

You may add indicator lights or LEDs to indicate the position of the switch on your control panel. Wiring the lights is the same as wiring function lighting outputs on locomotive decoders. The diagrams below illustrate wiring for either type of light. It will be necessary to solder your light wires to the three decoder holes indicated in the drawing. The center pad is the common wire to the two lights (similar to the blue wire on locomotive decoders) and the flanking pads are the light outputs.



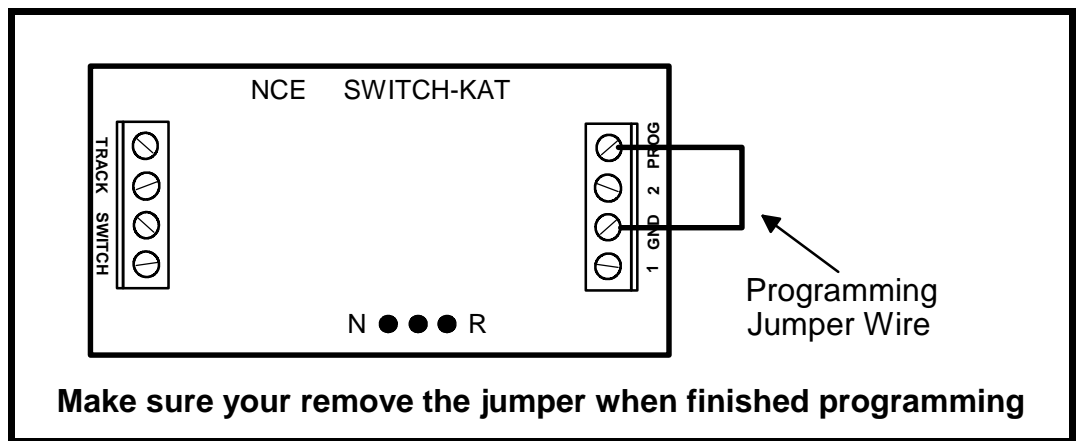
### Programming information

The Switch-Kat **cannot** be programmed on your programming track. It is always programmed while connected to the mainline track. This decoder can be programmed by all systems that support accessory control using the procedure below.

#### To program Switch-Kat to a new address using any DCC system:

1. Connect the track power to the decoder **TRACK** connections.
2. Connect a short "jumper" wire from the **PROG** terminal to **GND** as shown below. If you have the optional position indicator lights installed they will **both** light to indicate programming mode.
3. Use your DCC system to throw the accessory (turnout) number you wish the Switch-Kat to use as its address.
4. Remove the jumper wire.

Do **not** leave the jumper in place after programming or you will not be able to control the switch.



#### To set the "ON TIME" of the decoder outputs (factory default is 40 milliseconds)

This can only be changed using the PROG ACCESSORIES feature of your NCE Power Pro (or other DCC system that supports programming **accessory** CVs on the mainline).

1. Press <PROG> followed by <7>
2. Use the accessory address of the Switch-Kat
3. Set CV515 to the number of milliseconds you want the output to be on (0-255). If you set it to 0 the outputs will be on all the time (useful with tortoise switch machines)

#### Warranty

This decoder is fully factory tested and warranted against manufacturing defects for a period of 1 year. As the circumstances under which this decoder is installed can not be controlled, failure of the decoder due to installation problems can not be warranted. This includes misuse, miswiring, operation under loads beyond the design range of the decoder or short circuits in the locomotive manufacturer's factory wiring. If the decoder fails for non-warranted reasons NCE will replace the decoder, no questions asked, for \$10 U.S. plus \$2 shipping. For warranty or non-warranty replacement send the decoder (an any payment, if required) to:

**NCE Warranty Center**  
82 Main Street  
Webster, New York 14580



05240116

The terms Silent Running, Powerhouse Pro, Power Pro, ProCab, Power Cab, the NCE logo with "Power of DCC" slogan and the distinctive shape of the ProCab with thumbwheel and LCD are trademarks of NCE Corporation. Digitrax is a trademark of Digitrax Inc.